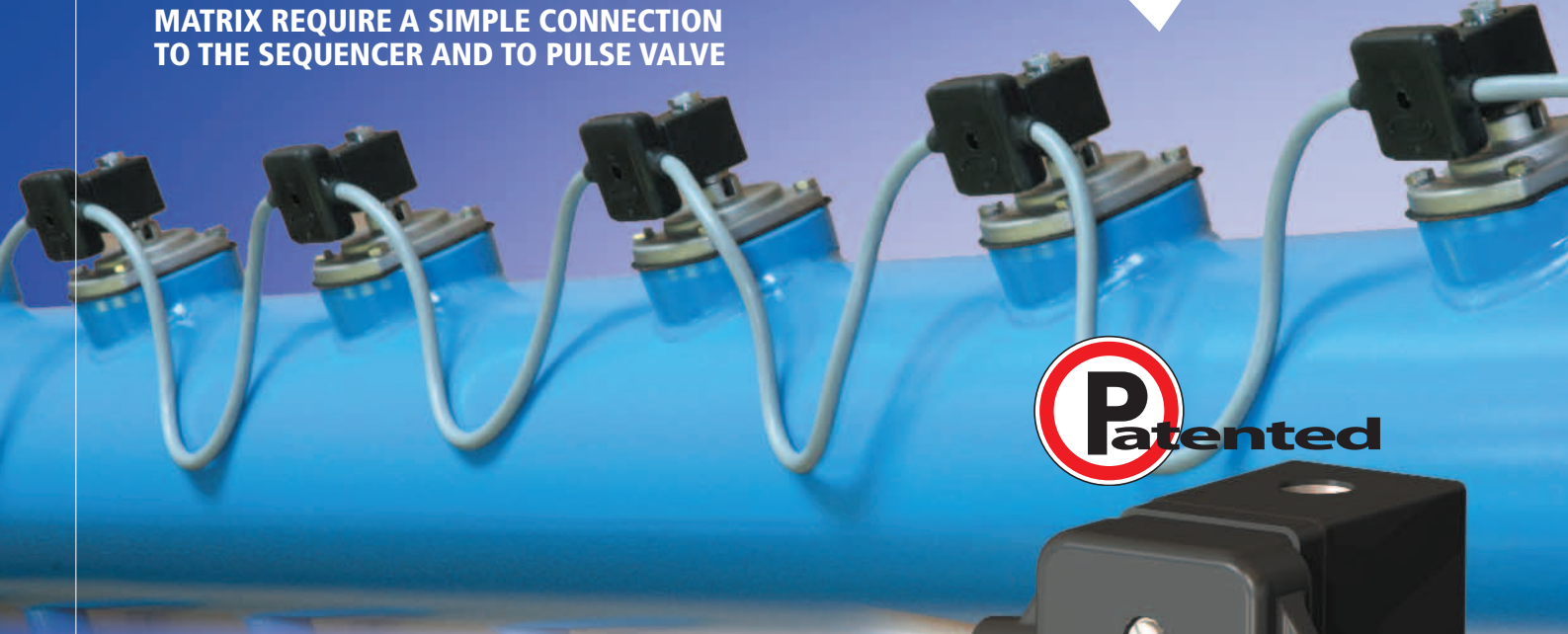




**MATRIX WIRING SYSTEM  
COST SAVING AND FLEXIBILITY**

**MATRIX SYSTEM IS DESIGNED TO REDUCE TIME  
AND COST OF WIRING INSTALLATION  
MATRIX REQUIRE A SIMPLE CONNECTION  
TO THE SEQUENCER AND TO PULSE VALVE**



**F E A T U R E S**

- Matrix consist in moulded prewired connectors for pulse valve
- Turbo provide Matrix connectors with desired pitch between valves
- Matrix System is compatible with any sequence controller available from the market
- Matrix can be supplied factory plugged to pulse valves on the header tank



**DUST FILTER COMPONENTS**



## HOW TO ORDER

**MATRIX 4 P200 M3 Plugged**

No.° of Connectors

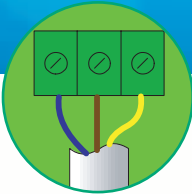
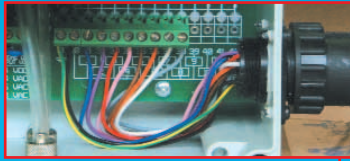
Pitch (mm)

Conduit length to sequencer

Terminal:

• plugged

• free wires



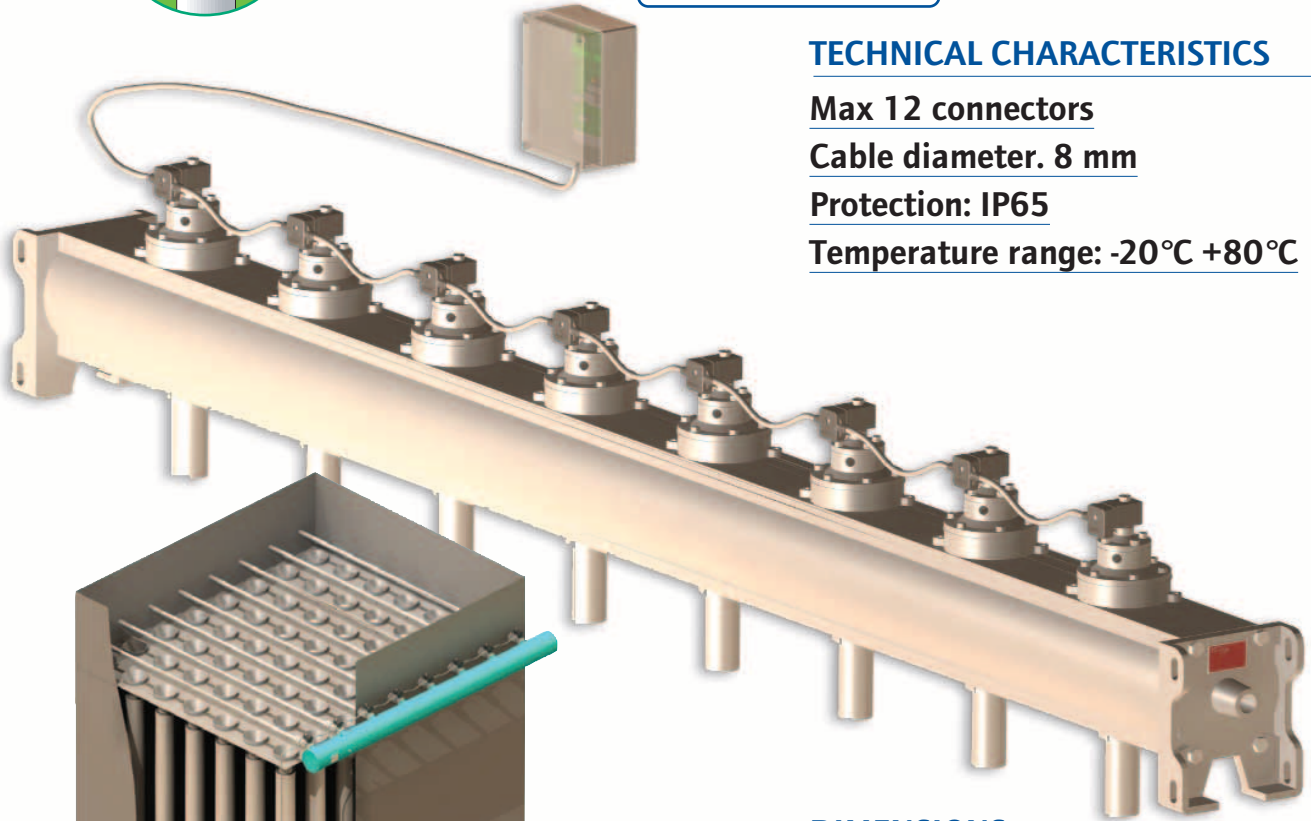
## TECHNICAL CHARACTERISTICS

**Max 12 connectors**

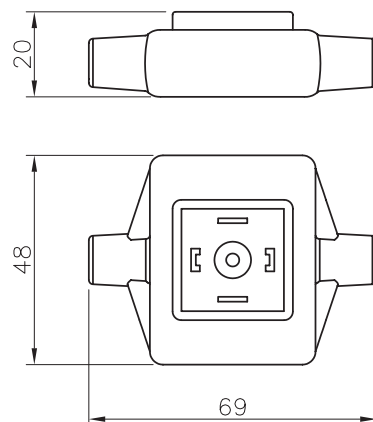
**Cable diameter. 8 mm**

**Protection: IP65**

**Temperature range: -20°C +80°C**



## DIMENSIONS



**TURBO** srl

via Po, 33 - 20031 CESANO MADERNO - Milano (ITALY)

phone: ++39 0362 574024

fax ++39 0362 574

info@turbocontrols.it

www.turbocontrols.it