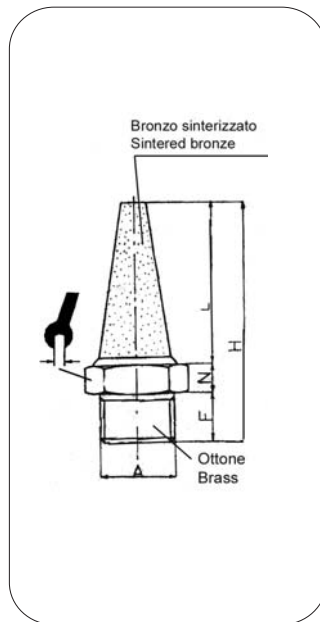


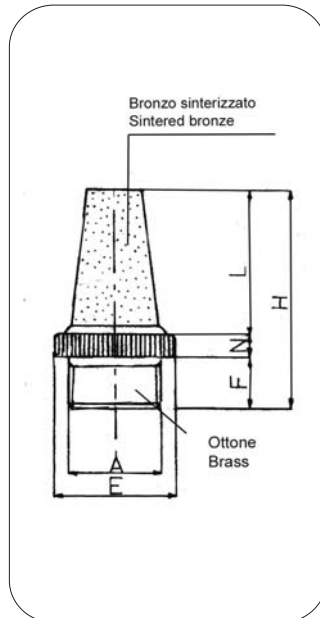
ART. SBE

CODICE	A	N	F	L	H		
SBE18	1/8" BSP	8,0	6,0	15,0	29,0	13,0	50
SBE14	1/4" BSP	8,0	7,0	17,0	32,0	16,0	50
SBE38	3/8" BSP	7,0	8,0	25,0	40,0	19,0	25
SBE12	1/2" BSP	9,0	9,0	27,0	45,0	24,0	25
SBE34	3/4" BSP	10,0	9,0	37,0	56,0	30,0	10
SBE01	1" BSP	10,0	11,0	45,0	66,0	36,0	10
SBE5MA	M5"	4,0	4,0	9,0	17,0	8,0	100
SBE18FEM	1/8" FEM BSP	8,0	7,0	15,0	30,0	13,0	50



ART. SAC

CODICE	A	N	F	L	H		
SAC18	1/8" BSP	8,0	6,0	30,0	44,0	13,0	100
SAC14	1/4" BSP	8,0	7,0	35,0	50,0	16,0	50
SAC38	3/8" BSP	7,0	8,0	39,0	54,0	19,0	25
SAC12	1/2" BSP	9,0	9,0	49,0	67,0	24,0	25
SAC34	3/4" BSP	10,0	9,0	46,0	65,0	30,0	10
SAC01	1" BSP	10,0	11,0	56,0	77,0	36,0	10
SAC5MA	M5"	4,0	4,0	18,0	26,0	8,0	100
SAC18FEM	1/8" FEM BSP	8,0	7,0	30,0	45,0	13,0	50



ART. SBT

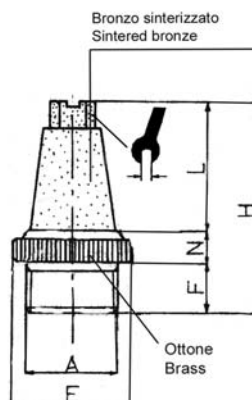
CODICE	A	E	F	L	H	N	
SBT18	1/8" BSP	12	6	15	25	4	100
SBT14	1/4" BSP	16	7	20	30	3	50
SBT38	3/8" BSP	19	8	27	38	3	25
SBT12	1/2" BSP	23	10	28	42	4	25
SBT34	3/4" BSP	29	10	38	52	4	10
SBT01	1" BSP	36	12	46	65,5	7,5	10



ART. SBTE-SBTT

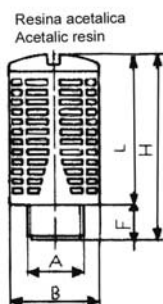
CODICE	A	E	F	L	H	N		
SBTT18	1/8" BSP	12	6	15	25	4	6	100
SBTT14	1/4" BSP	16	7	20	30	3	7	50
SBTT38	3/8" BSP	19	8	27	38	3	10	25
SBTT12	1/2" BSP	23	10	28	42	4	13	25
SBTT34	3/4" BSP	29	10	38	52	4	17	10
SBTT01	1" BSP	36	12	46	65,5	7,5	22	10
SBTE18	1/8" BSP	12	6	15	25	4	6	100
SBTE14	1/4" BSP	16	7	20	30	3	7	50
SBTE38	3/8" BSP	19	8	27	38	3	10	25
SBTE12	1/2" BSP	23	10	28	42	4	13	25
SBTE34	3/4" BSP	29	10	38	52	4	17	10
SBTE01	1" BSP	36	12	46	65,5	7,5	22	10

SBTE = Senza taglio SBTE = Without screwdriver



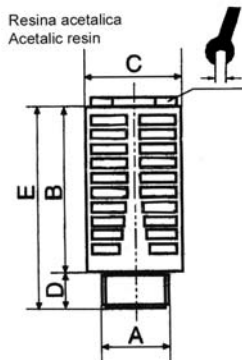
ART. SPL Dinamico Dynamic

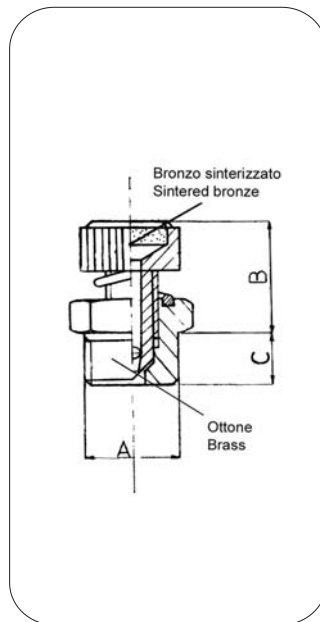
CODICE	A	B	F	L	H	
SPL18	1/8" BSP	15	8	27	35	100
SPL14	1/4" BSP	19,5	9	36	45	100
SPL38	3/8" BSP	24,5	11	47	58	50
SPL12	1/2" BSP	24,5	11	47	58	25
SPL34	3/4" BSP	48	18	96	114	10
SPL01	1" BSP	48	18	96	114	10



ART. SPLF Feltro - Statico Felt - Static

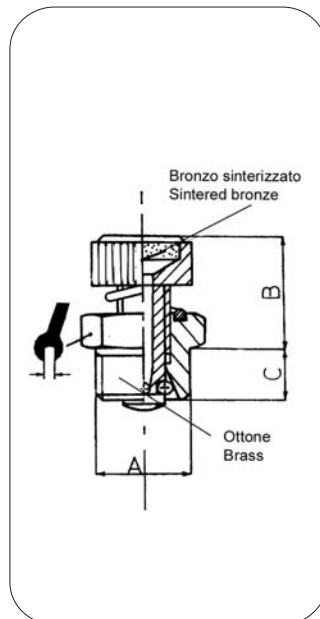
CODICE	A	B	C	D	E		
SPLF18	1/8" BSP	28	16	6	34	10	100
SPLF14	1/4" BSP	36	19	8	44	12	100
SPLF38	3/8" BSP	46	24	10	56	17	25
SPLF12	1/2" BSP	46	24	10	56	17	25





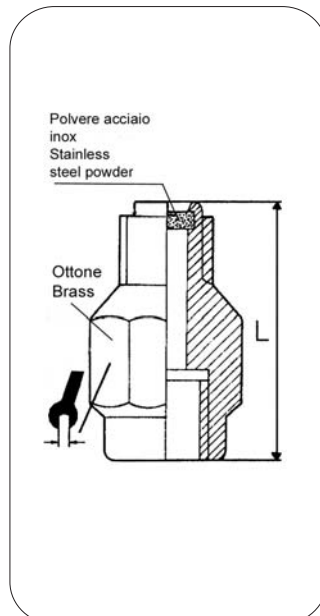
ART. SVE

CODICE	A	min B max		C	
SVE18	1/8" BSP	20	22	6	100
SVE14	1/4" BSP	22	24	8	50
SVE38	3/8" BSP	25	28	10	25
SVE12	1/2" BSP	26	29	11	25
SVE34	3/4" BSP	32	37	12	10
SVE01	1" BSP	32	37	12	10



ART. RBP

CODICE	A	min B max		C		
RBP18	1/8" BSP	14	19	6,0	12,0	100
RBP14	1/4" BSP	17	22	8,0	15,0	50
RBP38	3/8" BSP	18	24	9,0	19,0	25
RBP12	1/2" BSP	18	24	10,5	22,0	25



ART. SM

CODICE	A		L	
SM 1018	1/8" BSP	14	30	50
SM 2014	1/4" BSP	19	36	25
SM 3038	3/8" BSP	27	45	25
SM 4012	1/2" BSP	30	50	25

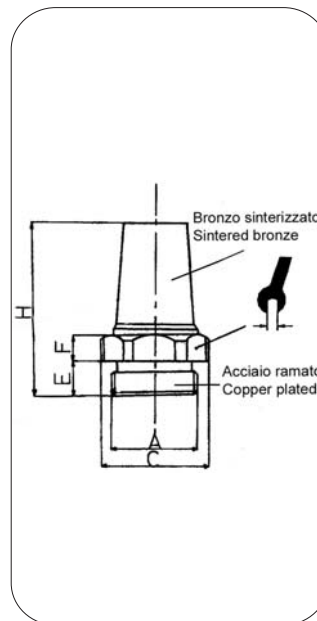
Categoria

A	0 - 20	Kg/cm ²
B	20 - 100	Kg/cm ²
C	+ 100	Kg/cm ²



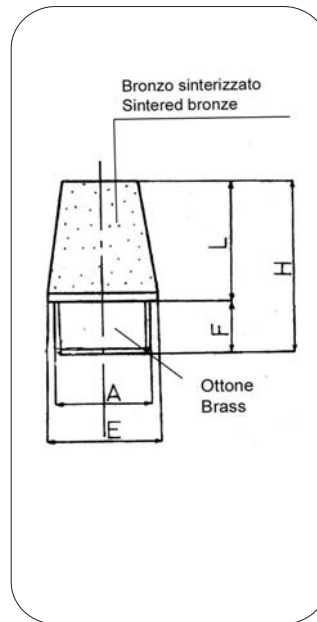
ART. SEB

CODICE	A	B		E	F	H	
SEB18	1/8" BSP	12,6	12	4,5	3,8	20,5	100
SEB14	1/4" BSP	16	15	6	4,5	26,5	50
SEB38	3/8" BSP	20	19	7	5,4	33,9	25
SEB12	1/2" BSP	24,5	23	8	6	40,5	25
SEB34	3/4" BSP	32	30	9	7,5	51,5	10
SEB01	1" BSP	38,5	36	11	9	66	10



ART. SC

CODICE	A	E	F	L	H	
SC18	1/8" BSP	12	6	15	21	100
SC14	1/4" BSP	15	6	19	25	50
SC38	3/8" BSP	19	8	28	36	25
SC12	1/2" BSP	23	10	33	43	25
SC34	3/4" BSP	29	13	40	53	10
SC01	1" BSP	36	15	48	63	10
SC5MA	M5"	6	4,5	8,5	13	100



ART. SET

CODICE	A	E	F	L	H		
SET18	1/8" BSP	11,5	4,5	13	17,5	8	100
SET14	1/4" BSP	15	6	18	24	10	50
SET38	3/8" BSP	19	7	24	31	13	25
SET12	1/2" BSP	23	8	29	37	14	25
SET34	3/4" BSP	30	9	41	50	19	10
SET01	1" BSP	37	11	51	62	24	10
SET5MA	M5"	8,5	5	15	20	27,5	100

