

**"RAP"**

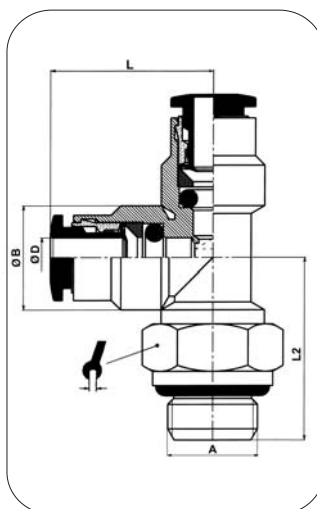
Raccordi automatici in ottone

Brass push - in fittings

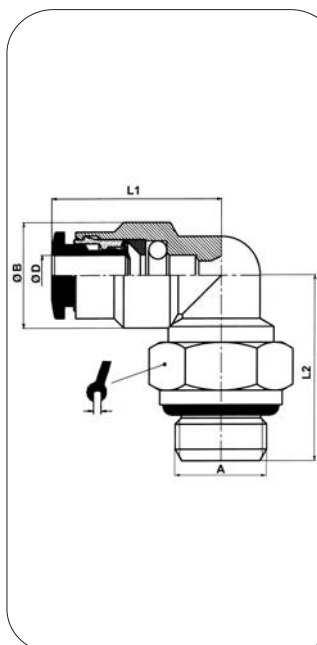
11

ART. 21
Raccordo a T laterale girevole
 Swivel male branch tee parallel

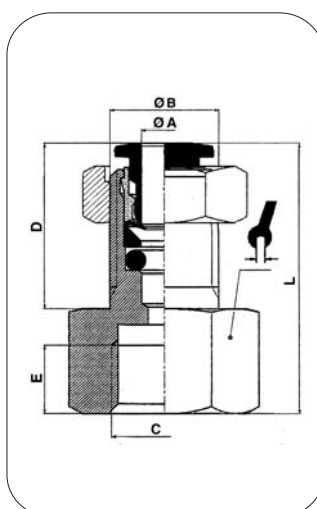
CODICE	ØD	A	ØB	L1	L2		
2104M5	4,0	M5	9,0	17,3	20,0	8,0	50
210418	4,0	G _{1/8}	9,0	17,3	18,5	13,0	50
210414	4,0	G _{1/4}	9,0	19,0	22,5	16,0	50
210618	6,0	G _{1/8}	11,0	20,6	18,5	13,0	50
210614	6,0	G _{1/4}	11,0	22,1	22,5	16,0	50
210818	8,0	G _{1/8}	13,0	23,0	20,5	13,0	50
210814	8,0	G _{1/4}	13,0	23,0	22,5	16,0	50
210838	8,0	G _{3/8}	13,0	24,5	25,5	18,0	50
211014	10,0	G _{1/4}	16,0	26,4	24,5	16,0	25
211038	10,0	G _{3/8}	16,0	26,4	25,5	18,0	25

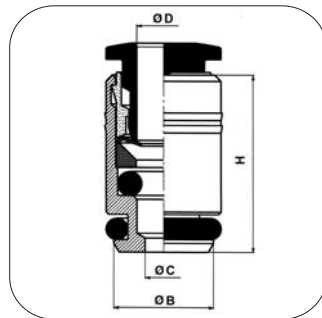
**ART. 22**
Gomito girevole filetto cilindrico maschio con O-Ring
 Swivel elbow male adaptor parallel

CODICE	ØD	A	ØB	L1	L2		
2204M5	4,0	M5	9,0	17,3	20,0	8,0	100
220418	4,0	G _{1/8}	11,0	17,3	18,5	13,0	100
220414	4,0	G _{1/4}	9,0	19,0	22,5	16,0	100
2206M5	6,0	M5	11,0	20,0	20,6	8,0	100
220618	6,0	G _{1/8}	11,0	20,6	18,5	13,0	100
220614	6,0	G _{1/4}	11,0	22,1	22,5	16,0	100
220818	8,0	G _{1/8}	13,0	23,0	20,5	13,0	100
220814	8,0	G _{1/4}	13,0	23,0	22,5	16,0	100
220838	8,0	G _{3/8}	13,0	24,5	25,5	18,0	50
221014	10,0	G _{1/4}	16,0	26,4	24,5	16,0	50
221038	10,0	G _{3/8}	16,0	26,4	25,5	18,0	50
221012	10,0	G _{1/2}	17,0	27,9	29,0	21,0	50
221214	12,0	G _{1/4}	19,0	28,9	24,5	16,0	50
221238	12,0	G _{3/8}	19,0	28,9	24,5	18,0	50
221212	12,0	G _{1/2}	19,0	28,9	31,0	21,0	25
221438	14,0	G _{3/8}	21,0	31,5	28,0	18,0	25
221412	14,0	G _{1/2}	21,0	31,5	33,0	21,0	25

**ART. 25**
Passaparete femmina
 Female bulk head

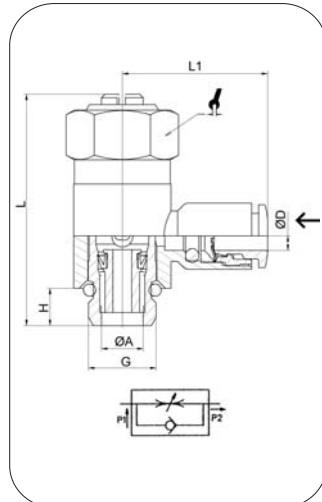
CODICE	ØA	ØB	C	D	E	L		CH1
250418	4,0	M10	G _{1/8}	15,5	6,5	25,5	15	25
250618	6,0	M14	G _{1/8}	15,8	6,5	26,8	15	25
250614	6,0	M14	G _{1/4}	15,8	10	31,3	17	25
250818	8,0	M16	G _{1/8}	16	6,5	29	17	25
250814	8,0	M16	G _{1/4}	16	10	33,5	17	25





ART. 27 Cartuccia per corpo di plastica
Cartridge

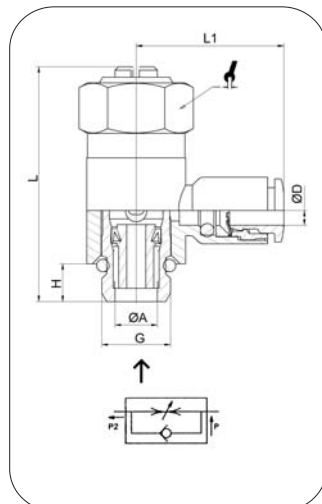
CODICE	ØD	ØC	ØB	H		
270400	4,0	2,9	7,8	14,0		100
270600	6,0	5,0	10,0	16,0		50
270800	8,0	7,0	11,8	17,0		50



ART. 28 Regolatore di flusso unidirezionale per valvola
Unidirectional flow regulator for valve

CODICE	ØD	G	B	L1	L		
280418	4,0	G _{1/8}	5,5	21,1	34,0	14,0	25
280618	6,0	G _{1/8}	5,5	24,3	34,0	14,0	25
280614	6,0	G _{1/4}	6,0	25,5	42,0	17,0	25
280818	8,0	G _{1/8}	5,5	24,8	34,0	14,0	25
280814	8,0	G _{1/4}	6,0	26,5	42,0	17,0	25
280838	8,0	G _{3/8}	8,0	28,0	52,0	20,0	25
281014	10,0	G _{1/4}	6,0	28,4	42,0	17,0	25
*281038	10,0	G _{3/8}	8,0	29,9	52,0	20,0	10
*281238	12,0	G _{3/8}	8,0	31,4	52,0	20,0	10

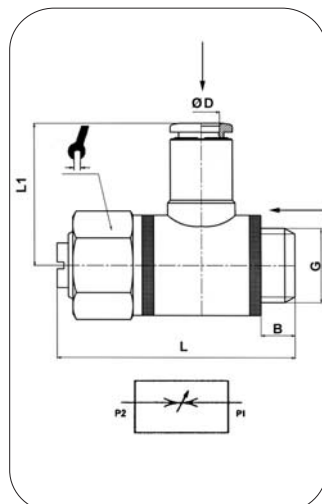
* con rondelle in plastica
with plastic washer



ART. 29 Regolatore di flusso unidirezionale per cilindro
Unidirectional flow regulator for cylinder

CODICE	ØD	G	B	L1	L		
290418	4,0	G _{1/8}	5,5	21,1	34,0	14,0	25
290618	6,0	G _{1/8}	5,5	24,3	34,0	14,0	25
290614	6,0	G _{1/4}	6,0	25,5	42,0	17,0	25
290818	8,0	G _{1/8}	5,5	24,8	34,0	14,0	25
290814	8,0	G _{1/4}	6,0	26,5	42,0	17,0	25
*290838	8,0	G _{3/8}	8,0	28,0	52,0	20,0	25
291014	10,0	G _{1/4}	6,0	28,4	42,0	17,0	25
*291038	10,0	G _{3/8}	8,0	29,9	52,0	20,0	10
*291238	12,0	G _{3/8}	8,0	31,4	52,0	20,0	10
*291212	12,0	G _{1/2}	10,0	34,9	61,0	26,0	10

* con rondelle in plastica
with plastic washer



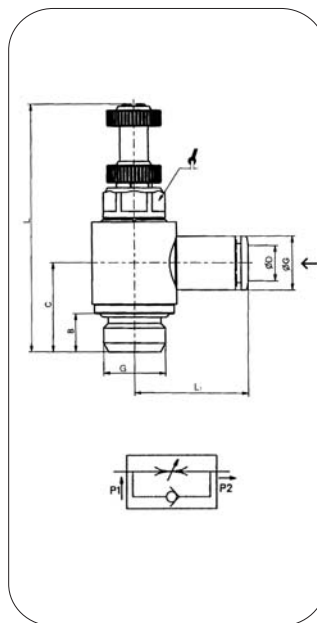
ART. 30 Regolatore di flusso bidirezionale
Bidirectional flow regulator

CODICE	ØD	G	B	L1	L		
300418	4,0	G _{1/8}	5,5	21,1	34,0	14,0	25
300618	6,0	G _{1/8}	5,5	24,3	34,0	14,0	25
300614	6,0	G _{1/4}	6,0	25,5	42,0	17,0	25
300818	8,0	G _{1/8}	5,5	24,8	34,0	14,0	25
300814	8,0	G _{1/4}	6,0	26,5	42,0	17,0	25
300838	8,0	G _{3/8}	8,0	28,0	52,0	20,0	25
301014	10,0	G _{1/4}	6,0	28,4	42,0	17,0	25
301038	10,0	G _{3/8}	8,0	29,9	52,0	20,0	10
301238	12,0	G _{3/8}	8,0	31,4	52,0	20,0	10
301212	12,0	G _{1/2}	10,0	34,9	61,0	26,0	10



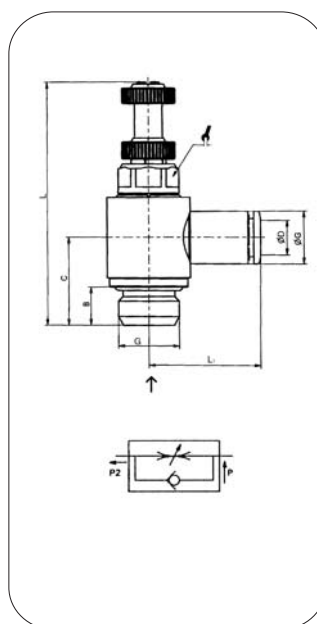
ART. 28P Regolatore di flusso per valvola girevole Swivel flow regulator for valve

CODICE	G	B	L	L1	ØD	
280418P	G 1/8	5,5	43	21,1	4	9
280618P	G 1/8	5,5	43	24,3	6	9
280818P	G 1/8	5,5	43	24,8	8	9
280614P	G1/4	6,5	50	25,5	6	12
280814P	G1/4	6,5	50	26,5	8	12
281014P	G1/4	6,5	50	28,4	10	12



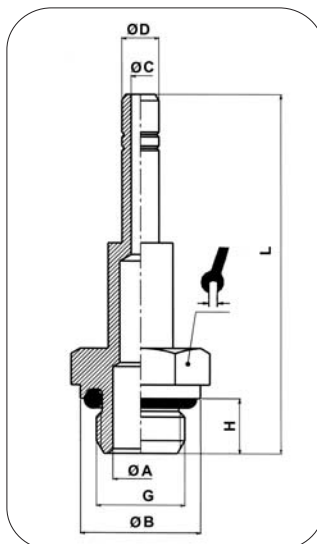
ART. 29P Regolatore di flusso per cilindro girevole Swivel flow regulator for cylinder

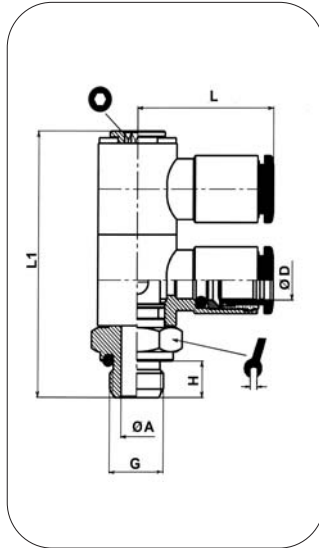
CODICE	G	B	L	L1	ØD	
290418P	G 1/8	5,5	43	21,1	4	9
290618P	G 1/8	5,5	43	24,3	6	9
290818P	G 1/8	5,5	43	24,8	8	9
290614P	G1/4	6,5	50	25,5	6	12
290814P	G1/4	6,5	50	26,5	8	12
291014P	G1/4	6,5	50	28,4	10	12





ART. 60 Innesto prolungato filetto cilindrico con O-Ring Adaptor parallel long

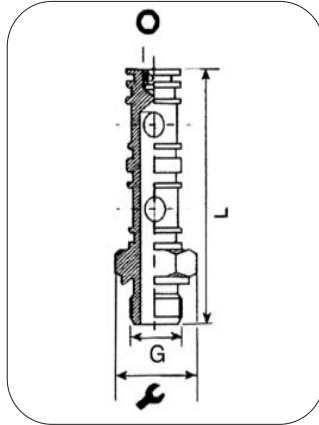
CODICE	ØD	G	ØC	ØB	H	L	ØA		
600418	4,0	G _{1/8}	2,0	13,0	6,0	39,2	6,0	13,0	50
600618	6,0	G _{1/8}	4,0	13,0	6,0	43,5	6,0	13,0	50
600614	6,0	G _{1/4}	4,0	16,0	8,0	46,0	7,5	13,0	50
600818	8,0	G _{1/8}	6,0	13,0	6,0	47,0		13,0	50
600814	8,0	G _{1/4}	6,0	16,0	8,0	49,5	7,5	13,0	50
600838	8,0	G _{3/8}	6,0	20,0	9,0	51,5	9,0	13,0	50
601014	10,0	G _{1/4}	8,0	16,0	8,0	55,5		13,0	50
601038	10,0	G _{3/8}	8,0	13,0	9,0	57,5	9,0	13,0	25






**ART. 33**

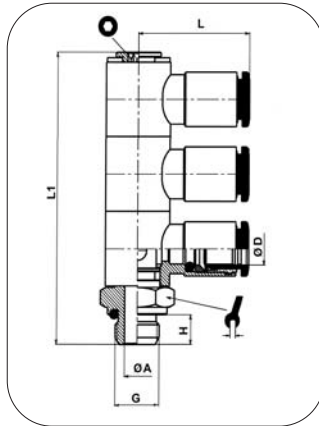
Doppio anello semplice girevole con asta
Swivel double banjo stem

CODICE	ØD	G	ØA	H	L1	L			
330418	4,0	1/8	5,5	6,0	43,8	21,1	14,0	3,0	25
330618	6,0	1/8	5,5	6,0	43,8	24,3	14,0	3,0	25
330818	8,0	1/8	5,5	6,0	43,8	24,8	14,0	3,0	25
330614	6,0	1/4	7,8	8,0	51,5	25,5	18,0	4,0	25
330814	8,0	1/4	7,8	8,0	51,5	26,5	18,0	4,0	25
331014	10,0	1/4	7,8	8,0	51,5	28,4	18,0	4,0	25


**ART. 33A**

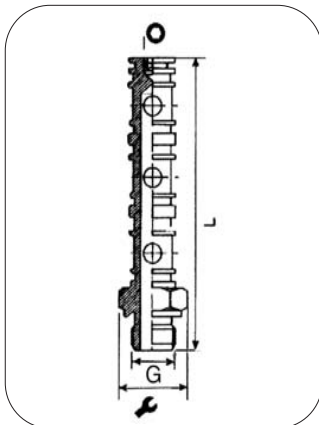
Asta doppia per anello girevole
Double stem for swivel banjo

CODICE	G	L			
33A18	1/8	43,8	14,0	3,0	50
33A14	1/4	51,5	18,0	4,0	50




**ART. 34**

Triplo anello semplice girevole con asta
Swivel triple banjo stem

CODICE	ØD	G	ØA	H	L1	L			
340418	4,0	1/8	5,5	6,0	59,0	21,1	14,0	3,0	10
340618	6,0	1/8	5,5	6,0	59,0	24,3	14,0	3,0	10
340818	8,0	1/8	5,5	6,0	59,0	24,8	14,0	3,0	10

**ART. 34A**

Asta tripla per anello girevole
Triple stem for swivel banjo

CODICE	G	L			
34A18	1/8	59,0	14,0	3,0	50