

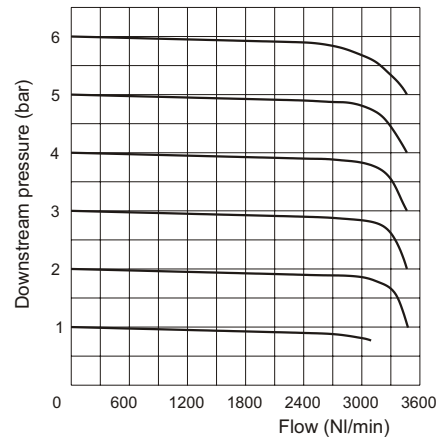
**Construction and working characteristics**

- Accurate capacity to maintain set pressure.
- Sensitivity combined with high relieving rates.
- High flow rate with extremely low pressure drop.
- Pressure adjusting lockable handle by simply pressing it downwards in the desired position.
- Body made with light alloy.
- Two pressure gauge connections with plug complete of seal.
- Ring nut for panel mounting.
- Once set, a constant bleed of air maintains the accuracy of the regulator.  
This controlled release is a characteristic, not a fault.

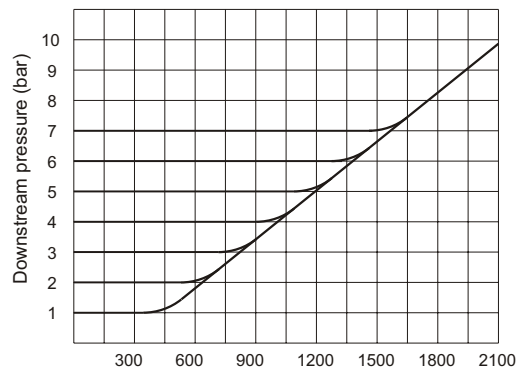
**Technical characteristics**

Connections	G 3/8"
Max. inlet pressure	10 bar - 1 MPa
Max. ambient temperature	50°C
Pressure gauge connections	G 1/8"
weight	gr. 885
Pressure range	0,1 - 2 bar 0,1 - 4 bar 0,1 - 4 bar
Assembly position	Any
Air flow (inlet pressure 10 bar)	5 NI/min
Max. fitting torque	40 Nm
Fluid	20µm filtered air and preferably non lubricated

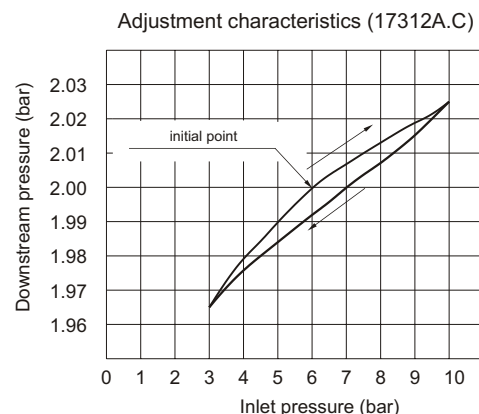
Flow rate curves (17312A.C)  
Inlet pressure (7 bar)



Exhaust flow rate curves (17312A.C)



Adjustment characteristics (17312A.C)

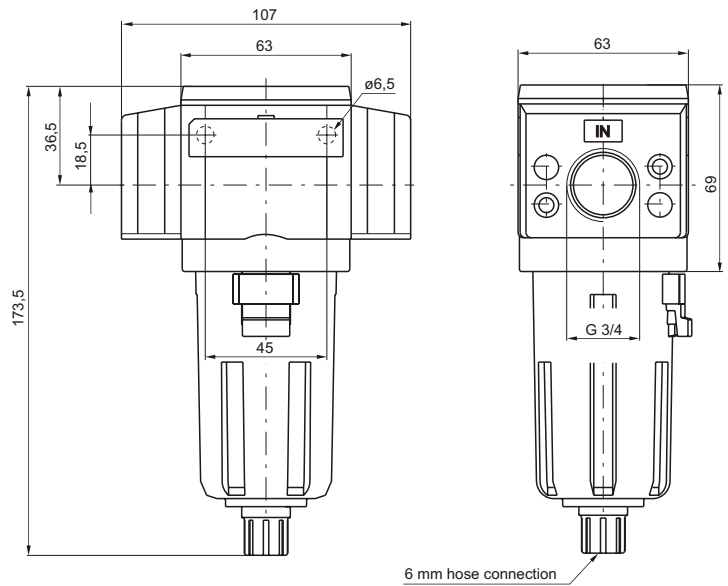


Ordering code

**17312A .**

Adjusting range  
A = 0,1 - 2 bar  
B = 0,1 - 4 bar  
C = 0,1 - 7 bar

Example: 17312A.C  
Pressure regulator with G 3/8" 0 - 7 bar



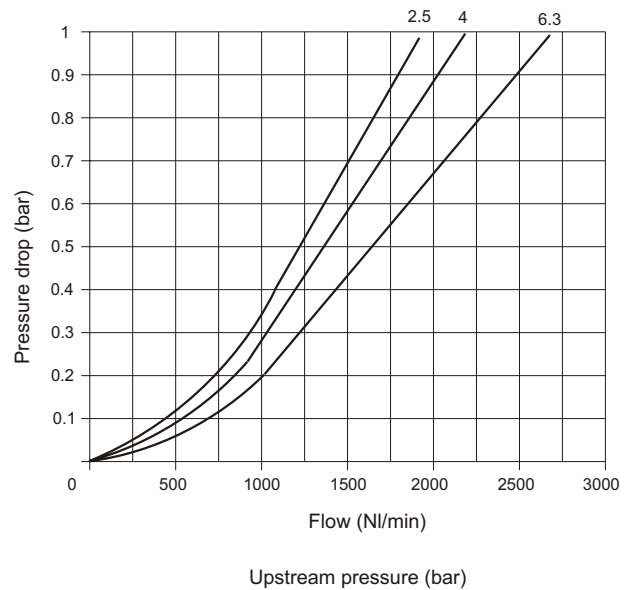
### Construction and working characteristics

- Body made with light alloy.
- Flanges made with light alloy.
- Wall mounting possibility with M6 screws protected by covers.
- Double filtering action: by air centrifuging and by replaceable and reusable HDPE porous filter element.
- Transparent technopolymer bowl with shock resistant technopolymer protection connected to the body with bayonet cap and safety button.
- Manual and semi-automatic water drain valve; in the semi-automatic version the drainage happens when there is no pressure or by pushing the valve up-wards.
- Possibility to see the water level on 360°.
- Automatic water drainage bowl available on request.

### Technical characteristics

Connections	G 3/4"
Max. inlet pressure	13 bar - 1,3 MPa
Max. ambient temperature (at 10 bar)	50°C
Weight	gr. 405
Filter pore size	5μ
	20μ
	50μ
Bowl capacity	42 cm <sup>2</sup>
Assembly position	Vertical
Wall fixing screws	M6
Max. fitting torque	40 Nm

Flow rate curves  
Inlet pressure (bar)



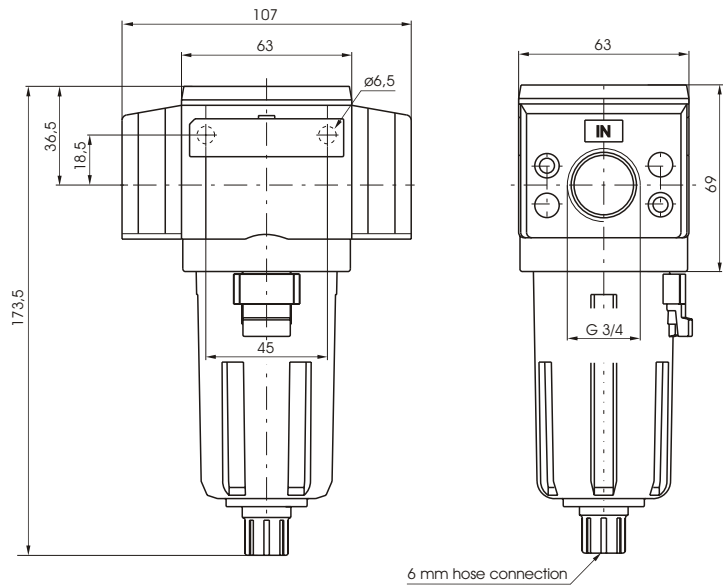
### Ordering code

17301E . . .

Filter pore size  
A = 5μ  
B = 20μ  
C = 50μ

S = Automatic drain

Example: 17301E.B  
Filter with G 3/4" connection and filter pore size 20μ



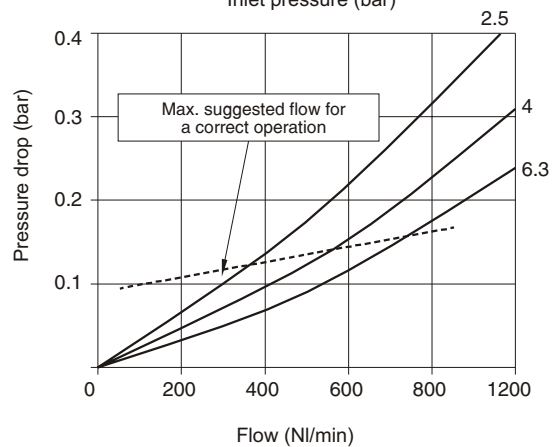
### Construction and working characteristics

- Coalescing filter element remove 0,1 $\mu$  particles equivalent to 99,97%.
- Body made with light alloy.
- Flanges made with light alloy.
- Wall mounting possibility with M6 screws protected by covers.
- Transparent technopolymer bowl with shock resistant technopolymer protection connected to the body with bayonet cap and safety button.
- Manual and semi-automatic water drain valve; in the semi-automatic version the drainage happens when there is no pressure or by pushing the valve up-wards.
- Possibility to see the water level on 360° also with bowl protection assembled.
- Automatic water drainage bowl available on request.

### Technical characteristics

Connections	G 3/4"
Max. inlet pressure	13 bar - 1,3 MPa
Max. ambient temperature (at 10 bar)	50°C
Weight	gr. 405
Filter efficiency with 0,1 $\mu$ particle	99,97%
Bowl capacity	42 cm <sup>3</sup>
Assembly position	Vertical
Wall fixing screws	M6
Max. fitting torque	40 Nm

Flow rate curves  
Inlet pressure (bar)



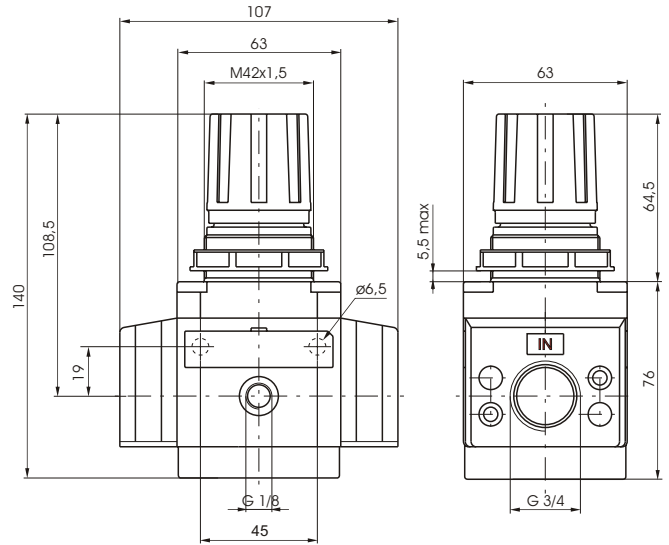
### Ordering code

17308E . . .

Filter efficiency  
E = 99,97%

S = Automatic drain

Example: **17308E.E**  
Coalescing filter size 3 with G 3/4" connections and filter efficiency of 99,97%.



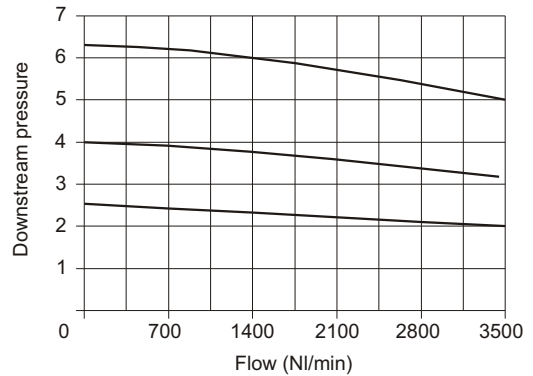
**Construction and working characteristics**

- Diaphragm pressure regulator with relieving.
- Balanced poppet.
- Lockable handle by simply pressing it downwards in the desired position.
- Body made with light alloy.
- Wall mounting possibility with M6 screws protected by covers.
- Two pressure gauge connections with plug complete of seal.
- Panel mounting bracket.

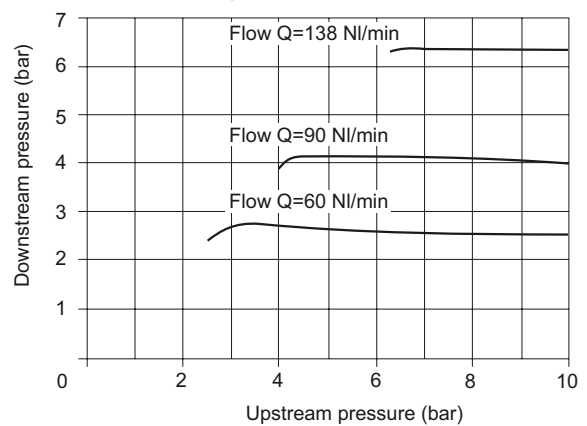
**Technical characteristics**

Connections	G 3/4"
Max. inlet pressure	13 bar - 1,3 Mpa
Max. ambient temperature	50°C
Pressure gauge connections	G 1/8"
Weight	gr. 550
Pressure range	0 - 2 bar 0 - 4 bar 0 - 8 bar 0 - 12 bar
Assembly position	Any
Wall fixing screws	M6
Max. fitting torque	40 Nm

Flow rate curves  
Inlet pressure (7 bar)

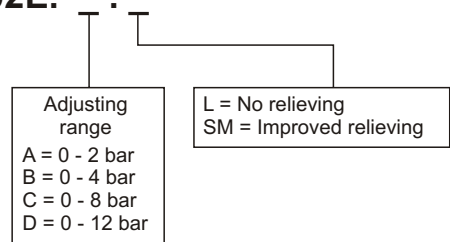


Adjustment characteristics

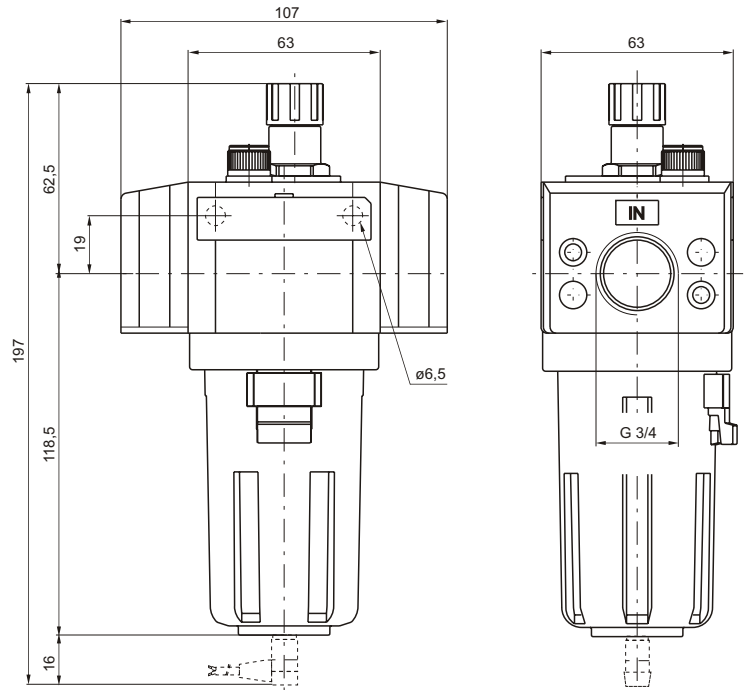


Ordering code

**17302E.**



Example: **17302E.C**  
Pressure regulator with G 3/4" connections, adjusting range 0 - 8 bar with relieving.



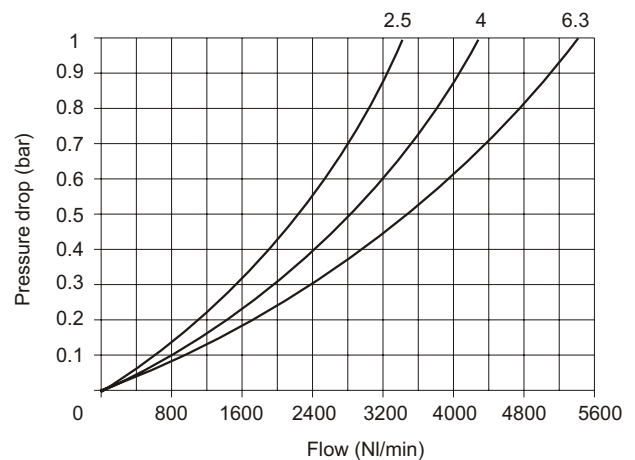
### Construction and working characteristics

- Fog type lubrication with variable section orifice according to the flow.
- Body made with light alloy.
- Wall mounting possibility with M6 screws protected by covers.
- Transparent technopolymer bowl with shock resistant technopolymer protection.
- Possibility to see the min. and max. level on 360° also with bowl protection assembled.
- Bowl assembled to the body with bayonet cap and safety button.
- Transparent technopolymer sight dome with adjusting handle.
- Oil filling plug.
- Electrical connector for low level indication. Use the C1, C2 or C3 lead for connection ( see section 8, catalogue 4 "Cylinders").

### Technical characteristics

Connections	G 3/4"
Max. inlet pressure	13 bar - 1,3 MPa
Max. ambient temperature (at 10 bar)	50°C
Weight	gr. 435
Indicative oil drip rate	1 drop every 300/600 NI
Oil type	FD22 - Hg32
Bowl capacity	80 cm <sup>3</sup>
Assembly position	Vertical
Wall mounting screws	M6
Min. operating flow	20 NI/min
Max. fitting torque	40 Nm

Flow rate curves  
Inlet pressure (bar)



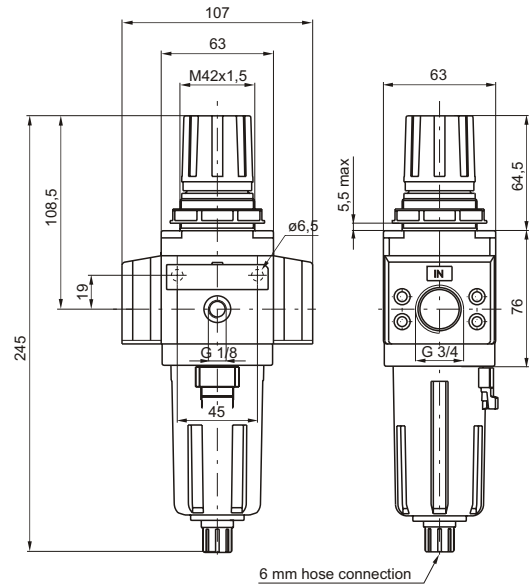
Ordering code

**17303E .**

MA = Minimum oil level indicator N.O. with plug connector  
MC = Minimum oil level indicator N.C. with plug connector

Note: on MA version the contact is open when the bowl is filled  
on MC version the contact is closed when the bowl is filled

Example: **17303E**  
Lubricator with G 3/4" connections.



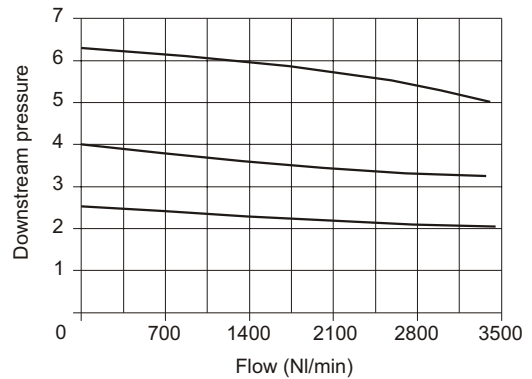
**Construction and working characteristics**

- Filter - diaphragm pressure regulator with relieving.
- Balanced poppet.
- Lockable handle by simply pressing it downwards in the desired position.
- Body made with light alloy.
- Wall mounting possibility with M6 screws protected by covers.
- Double filtering action: by air centrifuging and by replaceable and reusable HDPE porous filter element.
- Transparent technopolymer bowl with shock resistant technopolymer protection connected to the body with bayonet cap and safety button.
- Manual and semi-automatic water drain valve; in the semiautomatic version the drainage happens when there is no pressure or by pushing the valve up-wards.
- Possibility to see the water level on 360° also with bowl protection assembled.
- Automatic water drainage bowl available on request.
- Two pressure gauge connections with plug complete of seal.

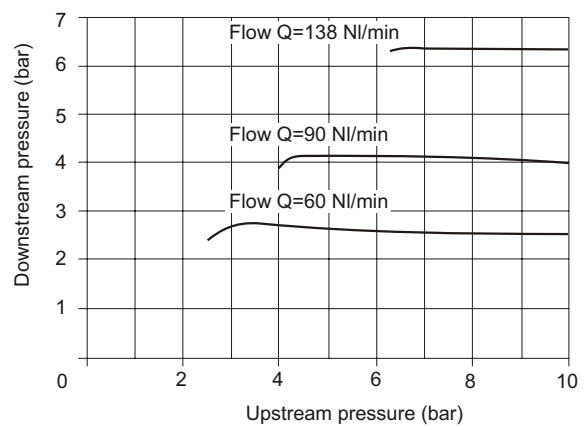
**Technical characteristics**

Connections	G 3/4"
Max. inlet pressure	13 bar - 1,3 MPa
Max. ambient temperature (at 10 bar)	50°C
Pressure gauge connections	G 1/8"
Weight	gr. 645
Pressure range	0 - 2 bar
	0 - 4 bar
	0 - 8 bar
	0 - 12 bar
Filter pore size	5µ
	20µ
	50µ
Bowl capacity	42 cm <sup>3</sup>
Assembly position	Vertical
Wall mounting screws	M6
Max. fitting torque	40 Nm

Flow rate curves  
Inlet pressure (7 bar)

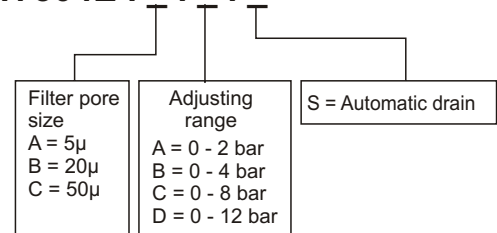


Adjustment characteristic



Ordering code

**17304E . . . .**



Example: **17304E.B.C**  
Filter - pressure regulator size 3 with G 3/4" connections, filter pore size 20µ and adjusting range 0-8 bar.

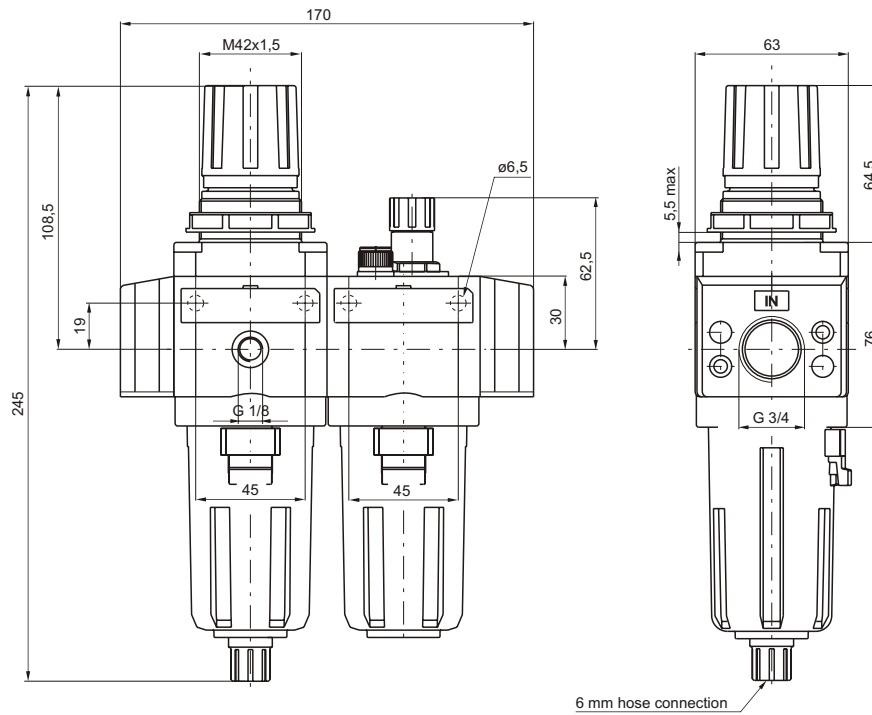


### Construction and working characteristics

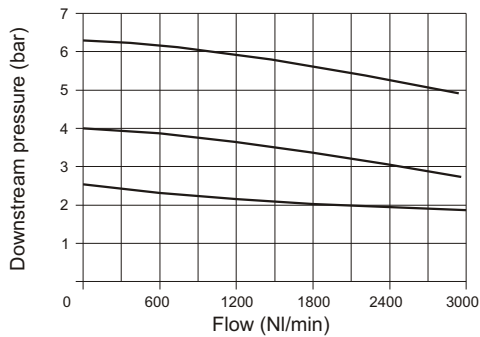
- Filter - diaphragm pressure regulator with relieving.
- Balanced poppet.
- Double filtering action: by air centrifuging and by replaceable and reusable HDPE porous filter element.
- Body made with light alloy.
- Wall mounting possibility with M6 screws protected by covers.
- Lockable handle by simply pressing it downwards in the desired position.
- Transparent technopolymer bowl with shock resistant technopolymer protection connected to the body with bayonet cap and safety button.
- Manual and semi-automatic water drain valve; in the semi-automatic version the drainage happens when there is no pressure or by pushing the valve up-wards.
- Possibility to see the water level on 360° also with bowl protection assembled.
- Automatic water drainage bowl available on request.
- Two pressure gauge connections with plug complete of seal.
- Fog type lubrication with variable section orifice according to the flow.
- Transparent technopolymer sight dome with adjusting handle.
- Oil filling plug.

### Technical characteristics

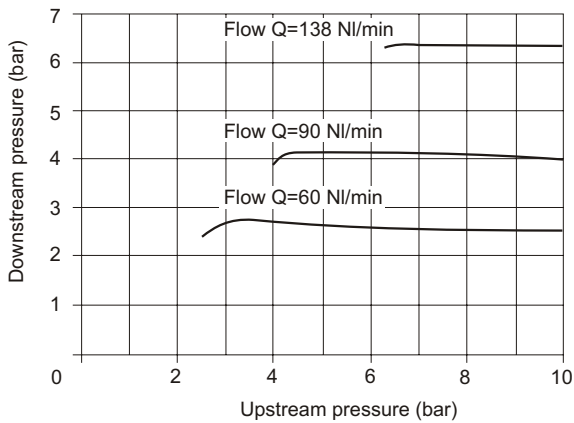
Connections	G 3/4"
Max. inlet pressure	13 bar - 1,3 MPa
Max. ambient temperature	50°C
Pressure gauge connections	G 1/8"
Weight	gr. 1100
Pressure range	0 - 2 bar 0 - 4 bar 0 - 8 bar 0 - 12 bar
Filter pore size	5µ 20µ 50µ
Bowl capacity	42 cm <sup>3</sup>
Oil type	FD22 - HG32
Indicative oil drip rate	1 drop every 300/600 NI
Bowl capacity	80 cm <sup>3</sup>
Min. operational flow at 6,3 bar	20 NI/min
Assembly position	Vertical
Wall mounting screws	M6
Max. fitting torque	40 Nm



Flow rate curves  
Inlet pressure (7 bar)



Adjustment characteristics



Ordering code

**17306E . . .**

Filter pore size A = 5µ B = 20µ C = 50µ	Adjusting range A = 0 - 2 bar B = 0 - 4 bar C = 0 - 8 bar D = 0 - 12 bar	S = Automatic drain
--	--	---------------------

Example: **17306E.B.C.S**  
Service unit combination complete with filter - pressure regulator + lubricator size 3 G 3/4".

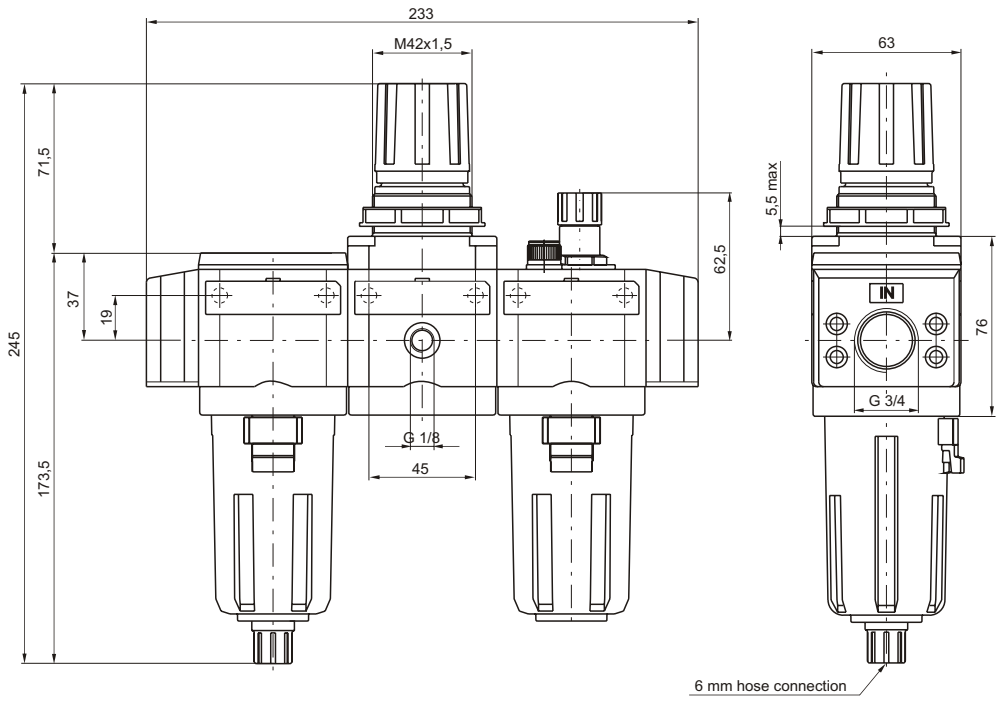


### Construction and working characteristics

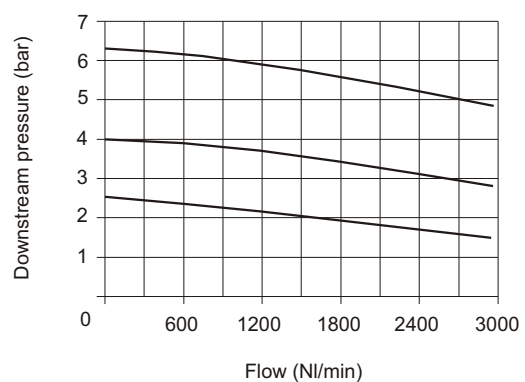
- Filter - diaphragm pressure regulator with relieving.
- Double filtering action: by air centrifuging and by replaceable and reusable HDPE porous filter element.
- Body made with light alloy.
- Wall mounting possibility with M6 screws protected by covers.
- Pressure adjusting lockable handle by simply pressing it downwards in the desired position.
- Transparent technopolymer bowl with shock resistant technopolymer protection connected to the body with bayonet cap and safety button.
- Manual and semi-automatic water drain valve; in the semi-automatic version the drainage happens when there is no pressure or by pushing the valve up-wards.
- Automatic water drainage bowl available on request.
- Possibility to see the water level on 360° also with bowl protection assembled.
- Two pressure gauge connections with plug complete of seal.
- Fog type lubrication with variable section orifice according to the flow.
- Transparent technopolymer sight dome with adjusting handle.
- Oil filling plug.

### Technical characteristics

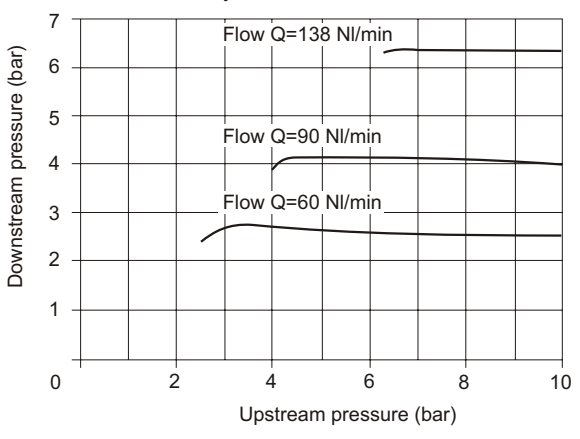
Connections	G 3/4"
Max. inlet pressure	13 bar - 1,3 MPa
Max. ambient temperature (at 10 bar)	50°C
Pressure gauge connections	G 1/8"
Weight	gr. 1430
Pressure range	0 - 2 bar 0 - 4 bar 0 - 8 bar 0 - 12 bar
Filter pore size	5µ 20µ 50µ
Bowl capacity	42 cm <sup>3</sup>
Oil type	FD22 - HG32
Indicative oil drip rate	1 drop every 300/600 NI
Bowl capacity	80 cm <sup>3</sup>
Min. operational flow at 6,3 bar	20 NI/min
Assembly position	Vertical
Wall mounting screws	M6
Max. fitting torque	40 Nm



Flow rate curves  
 Inlet pressure (7 bar)



Adjustment characteristic



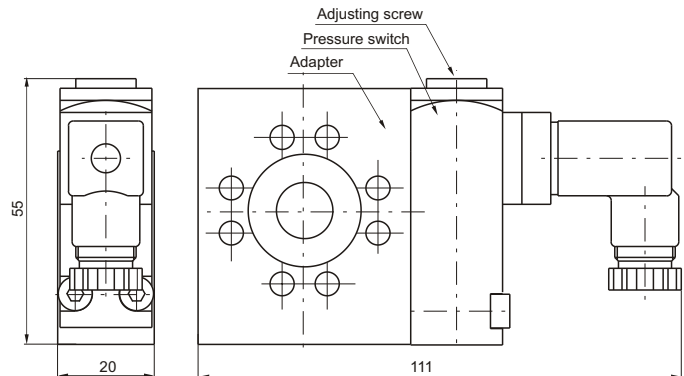
Ordering code

**17307E . . . .**

Filter pore size A = 5µ B = 20µ C = 50µ	Adjusting range A = 0 - 2 bar B = 0 - 4 bar C = 0 - 8 bar D = 0 - 12 bar	S = Automatic drain
--	--	---------------------

Example: **17307E.B.C.S**  
 Service unit combination complete with filter, pressure regulator and lubricator G 3/4" connections, filter pore 20µ, adjusting range 0-8 bar and automatic drain.

## Pressure switch complete with adapter



## Construction and working characteristics

The pressure switch complete of adapter has to be assembled between two elements of the FRL group. It cannot be utilized separately or at the end of the FRL group.

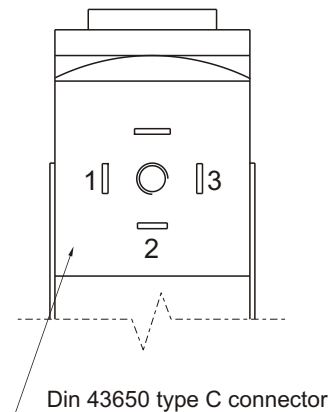
The pressure switch can be set at desired pressure (pressure range from 2 to 10 bar) by rotating the adjusting screw.

The electrical connection is made by mean of a 15 connector DIN 43650 type C.

The microswitch contact could be normally closed or open (change over switch).

### Connection

- 1 = Neutral
- 2 = N.C. contact
- 3 = N.O. contact



## Technical characteristics

Max. inlet pressure	13 bar 1,3 MPa
Max. temperature	50°C
Weight	gr. 220
Microswitch capacity	5A
Grade of protection (with connector assembled)	IP 65
Adjusting range	2 - 10 bar
Assembly position	Any

## Ordering code

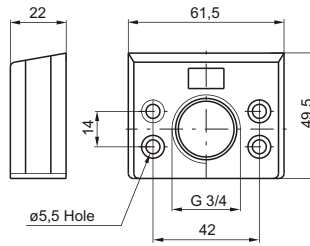
17

34A = Pressure switch adapter  
14B = Pressure switch  
34C = Pressure switch complete with adapter

Example: **1734C**  
Pressure switch complete with adapter.



**Flange G 3/4"**



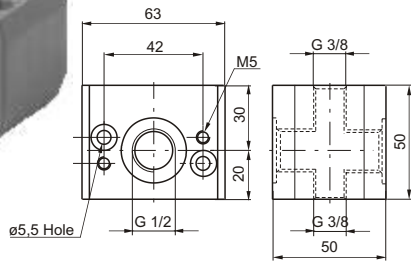
Ordering code

**1738**

1E = Inlet flange  
2E = Outlet flange

Weight gr. 105

**Air intake**

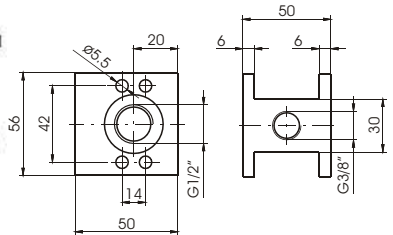


Ordering code

**17340**

Weight gr. 250

**Air intake - "H" profile**

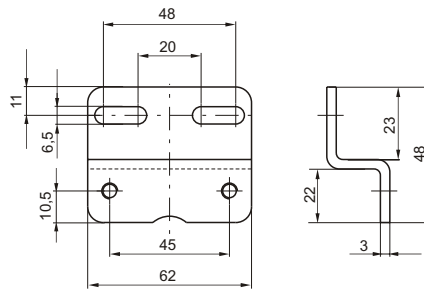


Ordering code

**17340H**

Weight gr. 192

**Fixing bracket**



Ordering code

Standard pressure regulator

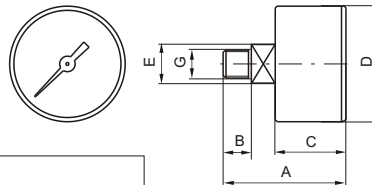
**17350**

Pressure regulator

**17352**

Weight gr. 85

**Pressure gauge**



DIMENSIONS

CODE	A	B	C	D	E	G	Weight gr.
17070A	44	10	26	41	14	G1/8"	60
17070B	45	10	27	49	14	G1/8"	80

Ordering code

**17070**

A = Dial ø40  
B = Dial ø50

A = Scale 0-4 bar  
B = Scale 0-6 bar  
C = Scale 0-12 bar

**Kit di assemblaggio**



Ordering code

**17360**  
(standard)

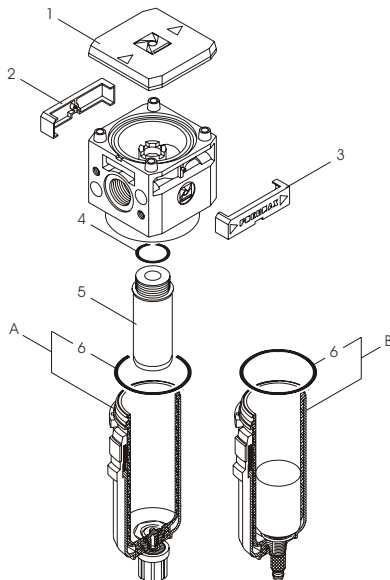
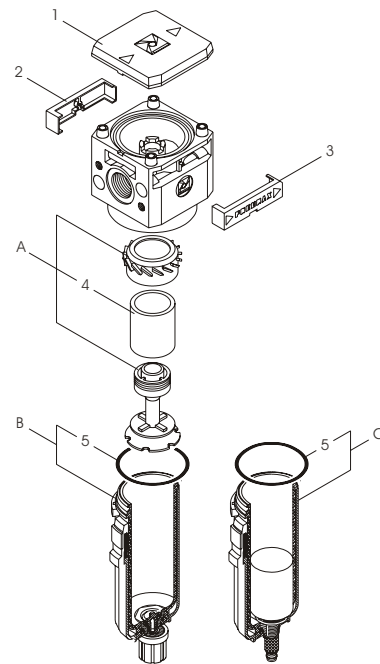
**17365**

(for progressive start-up valve)

Weight gr. 25

### Filter

Pos.	Code	Description
1	RS/1703/12	Cover
2	RS/1703/8	Rear tab
3	RS/1703/7	Front tab
4	RS/1703/13	Porous filter element 20 $\mu$
4	RS/1703/26	Porous filter element 5 $\mu$
4	RS/1703/27	Porous filter element 50 $\mu$
5	RS/OR 44x2.5	Seal
A	RK1703A/004	Filter group assembly 20 $\mu$
A	RK1703A/007	Filter group assembly 5 $\mu$
A	RK1703A/008	Filter group assembly 50 $\mu$
B	RK1703A/002	Filter bowl c/w drain valve
C	RK1703A/006	Filter bowl c/w automatic drain

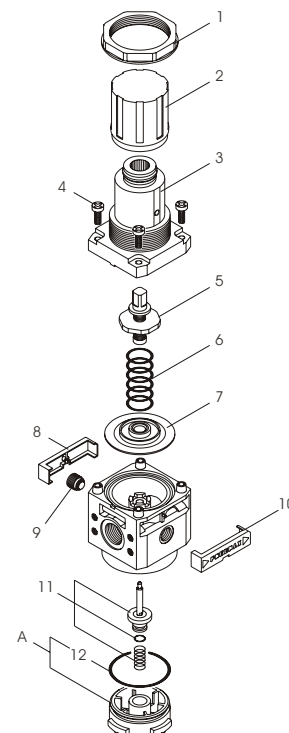


### Coalescing Filter

Pos.	Code	Description
1	RS/1703/12	Cover
2	RS/1703/62	Rear tab
3	RS/1703/61	Front tab
4	RS/OR3068	Seal
5	RK1703A/015	Coalescent group 0.1 $\mu$
6	RS/OR 44x2.5	Seal
A	RK1703A/002	Filter bowl c/w drain valve
B	RK1703A/006	Filter bowl c/w automatic drain

### Pressure regulator

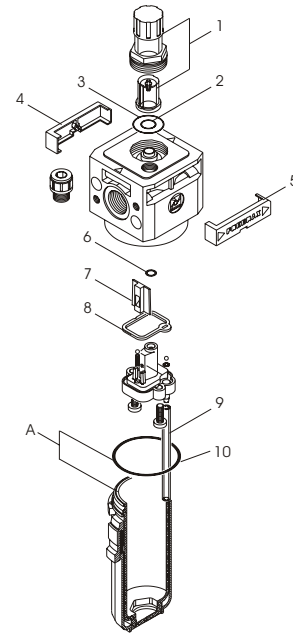
Pos.	Code	Description
1	RS/1702/12	Lock nut
2	RS/1702/3	Adjusting knob
3	RS/1703/2	Adjusting support
4	RS/TCTCR 5x14	Screw
5	RK1702A/005	Adjusting screw assembly
6	RS/1703/21	Spring 0- 2 bar range
6	RS/1703/20	Spring 0- 4 bar range
6	RS/1703/19	Spring 0 - 8 bar range
6	RS/1703/22	Spring 0 - 12 bar range
7	RK1703A/001	Diaphragm assembly
7	RK1703A/009	Diaphragm ass. w/o relieving
8	RS/1703/8	Rear tab
9	RK1701A/020	Plug c/w seal G 1/8"
10	RS/1703/7	Front tab
11	RK1703A/014	Poppet c/w spring
12	RS/OR 44x2.5	Seal
A	RK1703A/012	Plug





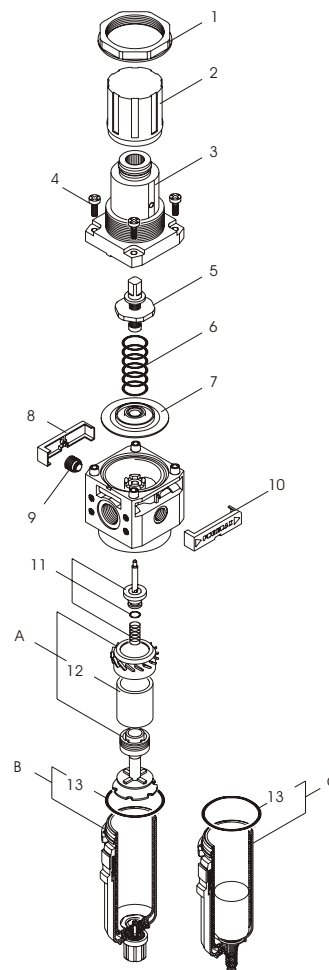
**Lubrcator**

Pos.	Code	Description
1	RK1701A/026	Lubricator sight dome assembly
2	RS/OR 106	Seal
3	RS/OR 2075	Seal
4	RS/1703/8	Rear tab
5	RS/1703/7	Front tab
6	RS/OR 2037	Seal
7	RS/1703/23	Venturi diaphragm
8	RS/1703/24	Seal
9	RS/1702/40	Oil tube
10	RS/OR 44x2.5	Seal
A	RK1703A/003	Lubricator bowl



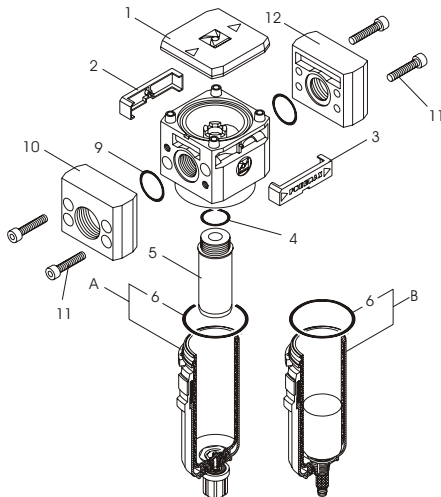
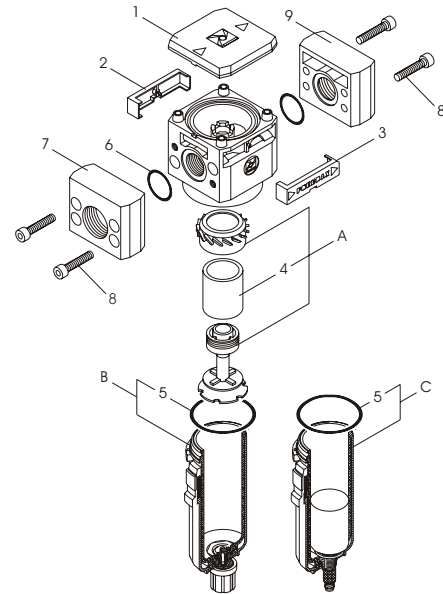
**Filter - pressure regulator**

Pos.	Codice	Description
1	RS/1702/12	Lock nut
2	RS/1702/3	Adjusting knob
3	RS/1703/2	Adjusting support
4	RS/TCTCR 5x14	Screw
5	RK1702A/005	Adjusting screw assembly
6	RS/1703/21	Spring 0 - 2 bar range
6	RS/1703/20	Spring 0 - 4 bar range
6	RS/1703/19	Spring 0 - 8 bar range
6	RS/1703/22	Spring 0 - 12 bar range
7	RK1703A/001	Diaphragm assembly
7	RK1703A/009	Diaphragm ass. w/o relieving
8	RS/1703/8	Rear tab
9	RK1701A/020	Plug c/w seal G 1/8"
10	RS/1703/7	Front tab
11	RK1703A/014	Poppet c/w spring
12	RS/1703/13	Porous filter element 20µ
12	RS/1703/26	Porous filter element 5µ
12	RS/1703/27	Porous filter element 50µ
13	RS/OR 44x2.5	Seal
A	RK1703A/004	Filter group assembly 20µ
A	RK1703A/007	Filter group assembly 5µ
A	RK1703A/008	Filter group assembly 50µ
B	RK1703A/002	Filter bowlc/w drain valve
C	RK1703A/006	Filter bowl c/w automatic drain



### Filter

Pos.	Code	Description
1	RS/1703/12	Cover
2	RS/1703/8	Rear tab
3	RS/1703/7	Front tab
4	RS/1703/13	Porous filter element 20µ
4	RS/1703/26	Porous filter element 5µ
4	RS/1703/27	Porous filter element 50µ
5	RS/OR 44x2.5	Seal
6	RS/OR 24x3	Seal
7	RS/1703/52	Inlet flange
8	RS/TCEI 5x25	Screw
9	RS/1703/53	Outlet flange
A	RK1703A/004	Filter group assembly 20µ
A	RK1703A/007	Filter group assembly 5µ
A	RK1703A/008	Filter group assembly 50µ
B	RK1703A/002	Filter bowl c/w drain valve
C	RK1703A/006	Filter bowl c/w automatic drain

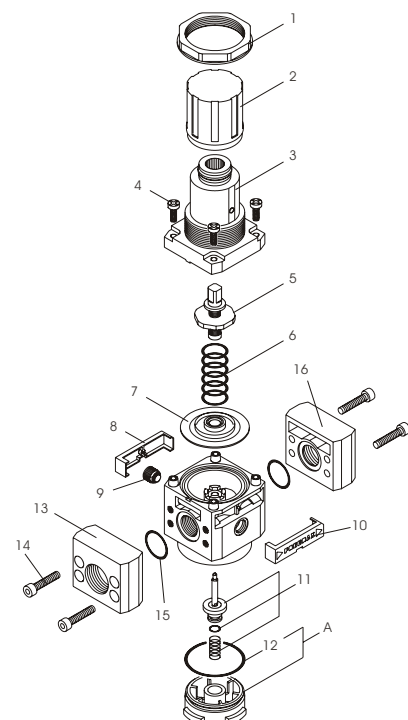


### Coalescing Filter

Pos.	Code	Description
1	RS/1703/12	Cover
2	RS/1703/62	Rear tab
3	RS/1703/61	Front tab
4	RS/OR3068	Seal
5	RK1703A/015	Coalescent group 0.1µ
6	RS/OR 44x2.5	Seal
9	RS/OR 24X3	Seal
10	RS/1703/52	Inlet flange
11	RS/TCEI 5X25	Screw
12	RS/1703/53	Outlet flange
A	RK1703A/002	Filter bowl c/w drain valve
B	RK1703A/006	Filter bowl c/w automatic drain

### Pressure regulator

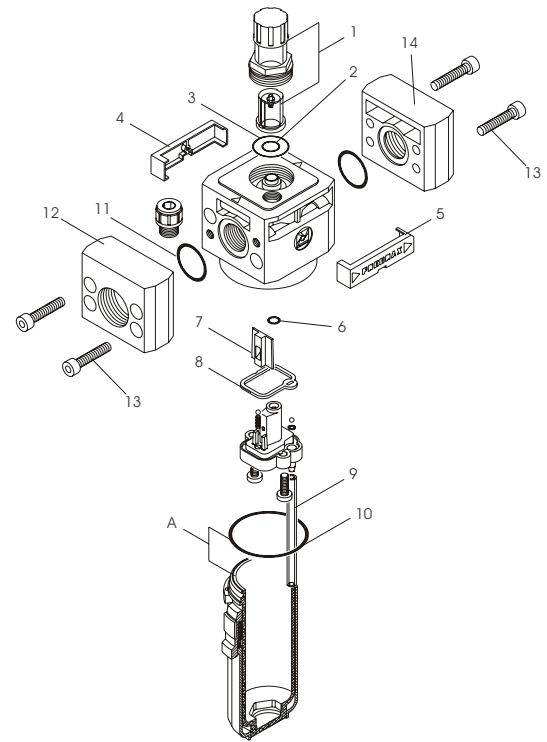
Pos.	Code	Description
1	RS/1702/12	Lock nut
2	RS/1702/3	Adjusting knob
3	RS/1703/2	Adjusting support
4	RS/TCTCR 5x14	Screw
5	RK1702A/005	Adjusting screw assembly
6	RS/1703/21	Spring 0- 2 bar range
6	RS/1703/20	Spring 0- 4 bar range
6	RS/1703/19	Spring 0 - 8 bar range
6	RS/1703/22	Spring 0 - 12 bar range
7	RK1703A/001	Diaphragm assembly
7	RK1703A/009	Diaphragm ass. w/o relieving
8	RS/1703/8	Rear tab
9	RK1701A/020	lug c/w seal G 1/8"
10	RS/1703/7	Front tab
11	RK1703A/014	Poppet c/w spring
12	RS/OR 44x2.5	Seal
13	RS/1703/52	Inlet flange
14	RS/TCEI 5x25	Screw
15	RS/OR 24x3	Seal
16	RS/1703/53	Outlet flange
A	RK1703A/012	Plug





**Lubricator**

Pos.	Code	Description
1	RK1701A/026	Lubricator sight dome assembly
2	RS/OR 106	Seal
3	RS/OR 2075	Seal
4	RS/1703/8	Rear tab
5	RS/1703/7	Front tab
6	RS/OR 2037	Seal
7	RS/1703/23	Venturi diaphragm
8	RS/1703/24	Seal
9	RS/1702/40	Oil tube
10	RS/OR 44x2.5	Seal
11	RS/OR 24x3	Seal
12	RS/1703/52	Inlet flange
13	RS/TCEI 5x25	Screw
14	RS/1703/53	Outlet flange
A	RK1703A/003	Lubricator bowl



3

**Filter - pressure regulator**

Pos.	Code	Description
1	RS/1702/12	Lock nut
2	RS/1702/3	Adjusting knob
3	RS/1703/2	Adjusting support
4	RS/TCTCR 5x14	Screw
5	RK1702A/005	Adjusting screw assembly
6	RS/1703/21	Spring 0 - 2 bar range
6	RS/1703/20	Spring 0 - 4 bar range
6	RS/1703/19	Spring 0 - 8 bar range
6	RS/1703/22	Spring 0 - 12 bar range
7	RK1703A/001	Diaphragm assembly
7	RK1703A/009	Diaphragm ass. w/o relieving
8	RS/1703/8	Rear tab
9	RK1701A/020	Plug c/w seal G 1/8"
10	RS/1703/7	Front tab
11	RK1703A/014	Poppet c/w spring
12	RS/1703/13	Porous filter element 20µ
12	RS/1703/26	Porous filter element 5µ
12	RS/1703/27	Porous filter element 50µ
13	RS/OR 44x2.5	Seal
14	RS/OR 24x3	Seal
15	RS/1703/52	Inlet flange
16	RS/TCEI 5x25	Screw
17	RS/1703/53	Outlet flange
A	RK1703A/004	Filter group assembly 20µ
A	RK1703A/007	Filter group assembly 5µ
A	RK1703A/008	Filter group assembly 50µ
B	RK1703A/002	Filter bowl c/w drain valve
C	RK1703A/006	Filter bowl c/w automatic drain

